

INSTRUCTIONS

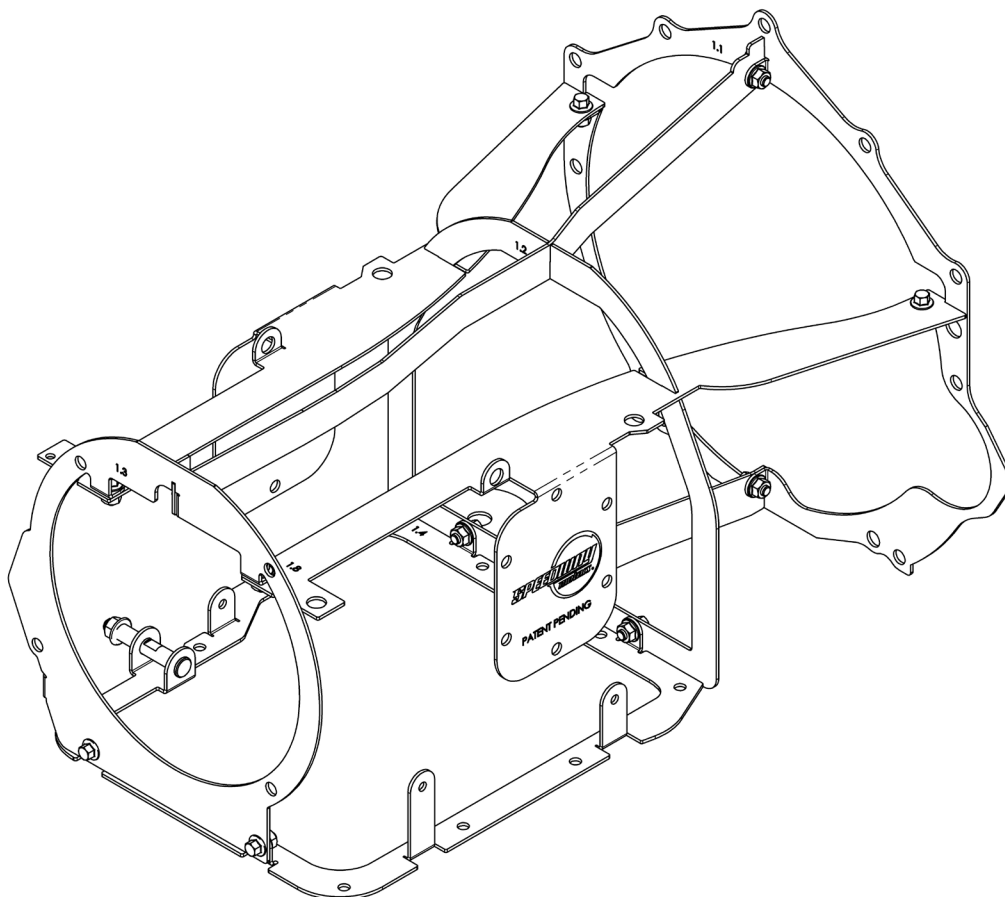
© 2024, Speedway Motors, Inc.

SPEEDWAY
motors®

910-89674.1 - SoloSwap™ Allison 1000 Transmission Mockup

Kit Contents			
Qty	Part #	Description	View #
1	91089670.12	Shifter Shaft	2
1	91089674.1.1	Plate, Bellhousing	3
1	91089674.1.2	Plate, Mid Section	2
1	91089674.1.3	Plate, Tail End	2
1	91089674.1.4	Plate, Oil Pan	2
1	91089674.1.5	Rib, Top	3
1	91089674.1.6	Rib, Bottom	2
1	91089674.1.7	Rib, Left Side	3
1	91089674.1.8	Rib, Right Side	3

Hardware			
Qty	Description	Tool Size	Item #
16	Serrated Flange Hex Head, M8-1.25-16	10mm Hex	H1
16	Serrated Hex Nut, M8-1.25	13mm Hex	H2
1	Serrated Hex Nut, M10-1.50	15mm Hex	H3

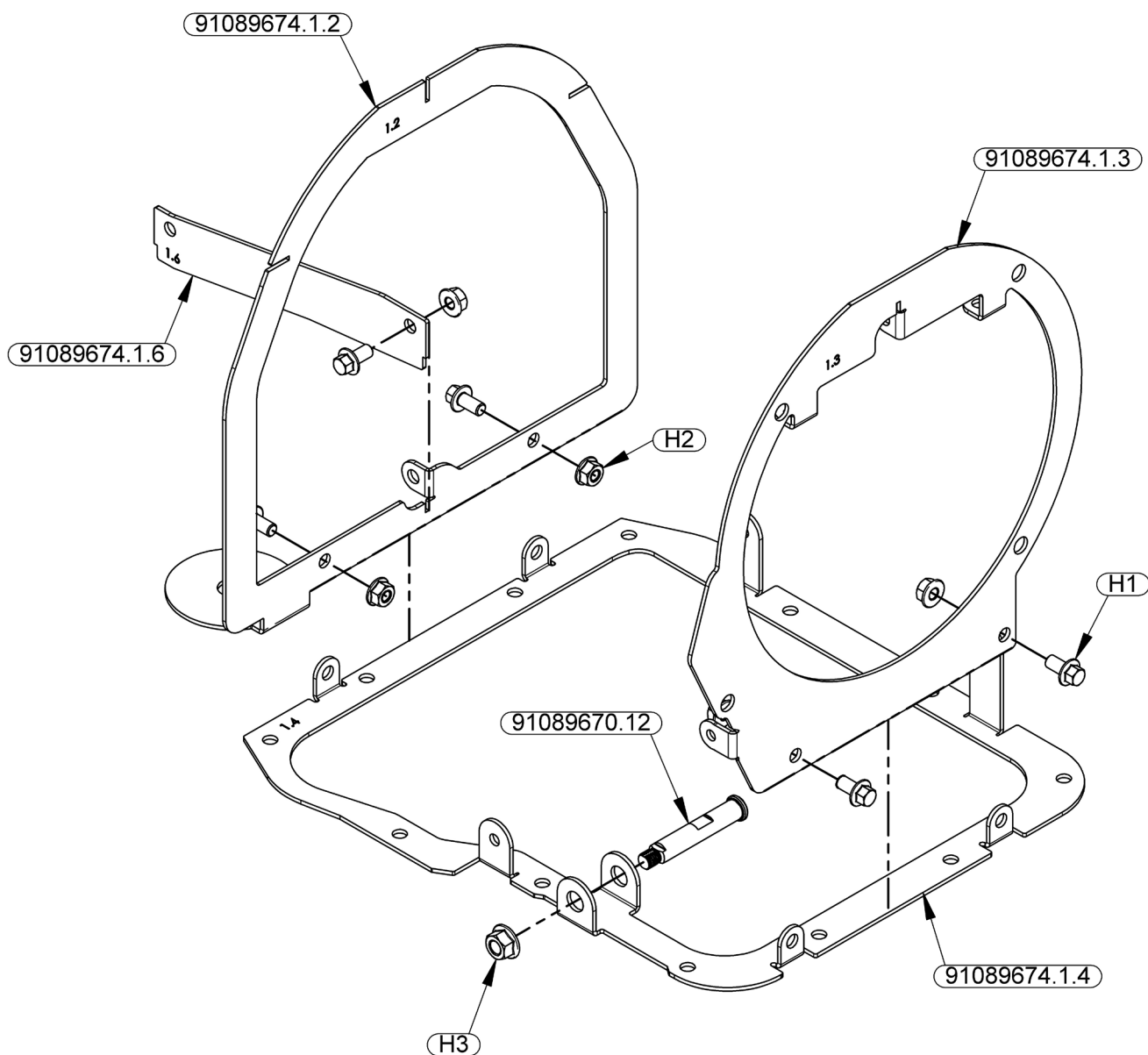


INSTRUCTIONS

© 2024, Speedway Motors, Inc.

SPEEDWAY
motors®

1. Count hardware and ensure that all kit contents listed in the instruction sheet are included.
2. Insert the shifter shaft (91089670.12) through the tabs on the oil pan plate (91089674.1.4) and attach the 10mm hex nut (H3).
3. Attach the mid section and tail end plates (91089674.1.2 & 91089674.1.3) to the oil pan plate using the 8mm nuts and bolts (H1 & H2). Leave nuts and bolts finger tight until fully assembled.
4. Bolt the bottom rib (91089674.1.6) to the mid-section plate.



INSTRUCTIONS

© 2024, Speedway Motors, Inc.

SPEEDWAY
motors®

5. Slot the top, left side and right side ribs (91089674.1.5, 91089674.1.7 & 91089674.1.8) onto the mid-section plate and bolt to the tail end plate.
6. Attach the bellhousing plate (91086974.1.1) to the top, bottom, and side ribs.
7. Tighten all bolts.

