

# INSTRUCTIONS

© 2025, Speedway Motors, Inc.

**SPEEDWAY**  
motors®

## 916-143 - Shaker Screen Mount - 22", 24", 26" and 28"

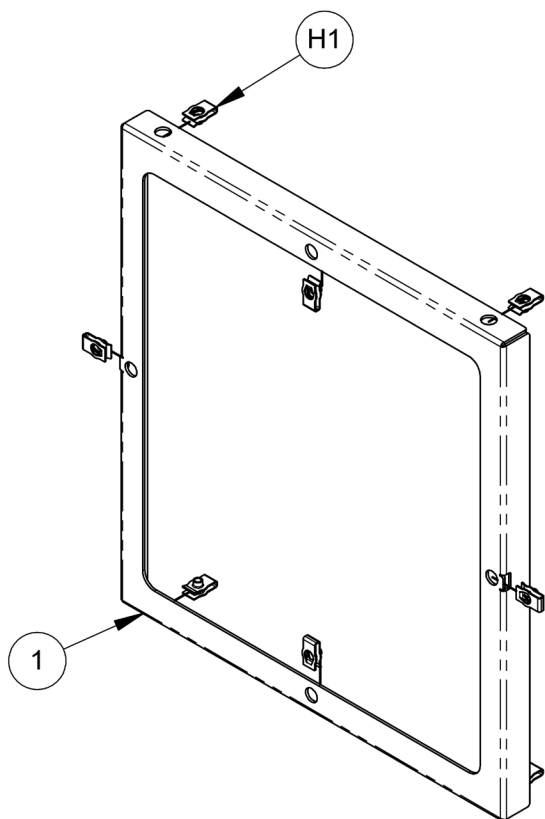
### 916-143-22 - Kit Contents

Qty	Part #	Description	Item #
1	916143.22.1	Frame, Shaker Screen	1
1	916143.22.2	Top & Bottom, Shaker Screen	2

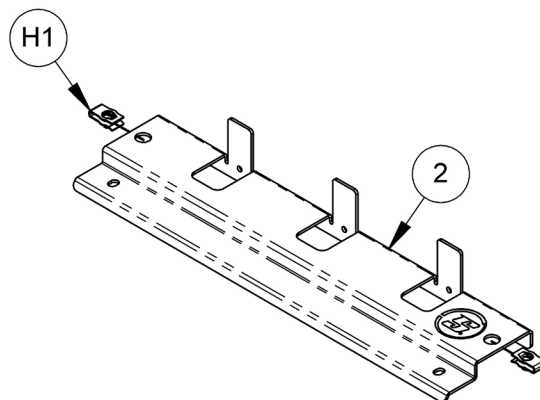
### Hardware

Qty	Description	Tool Size	Location
12	1/4-20 Nut Clip		H1
8	1/4-20 Body Bolt	7/16	H2
4	1/4-20 x 5/8" Lg. Hex Bolt	7/16	H3
4	1/4 Washer		H4

1. Press nut clips onto the frame as shown below.



2. Press nut clips onto the top and bottom parts as shown below.

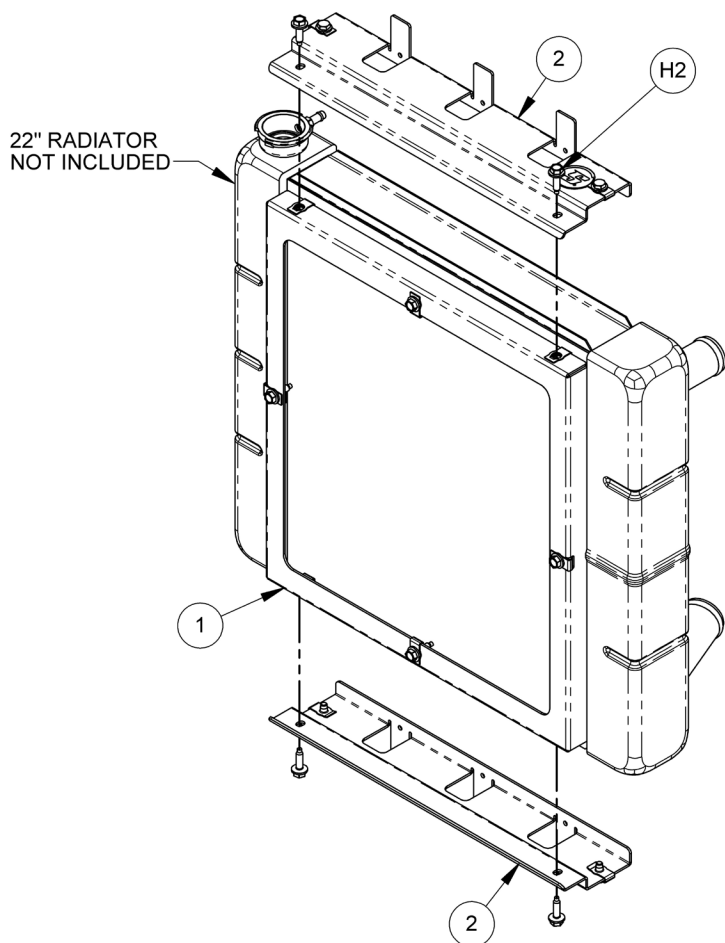


# INSTRUCTIONS

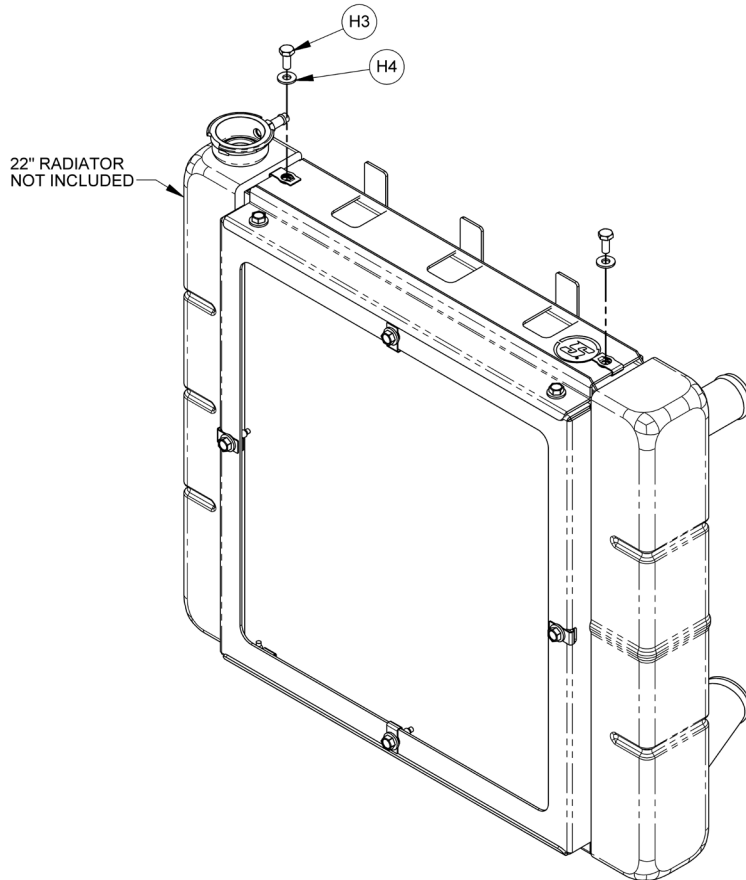
© 2025, Speedway Motors, Inc.

**SPEEDWAY**  
motors®

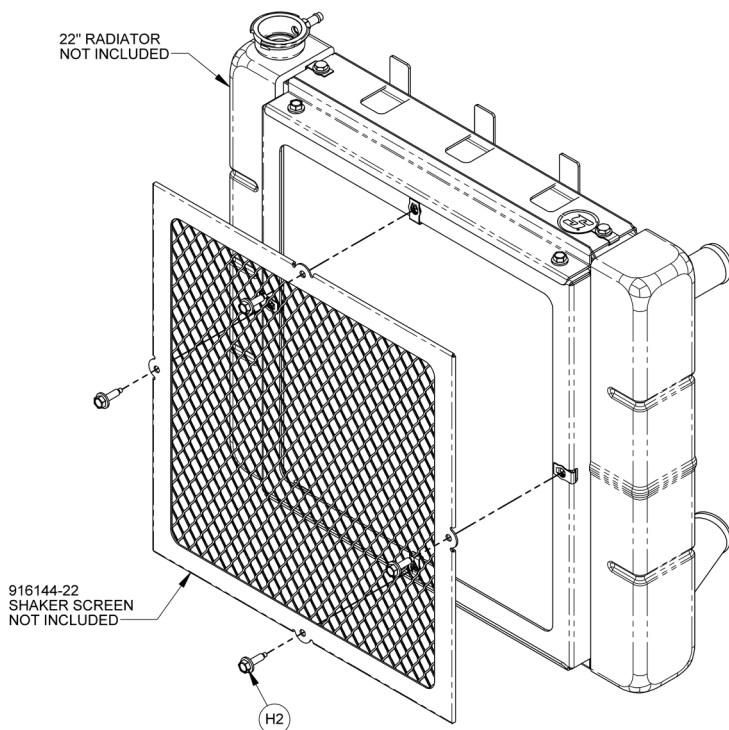
**3.** Place the frame in front of the radiator core. Attach the top and bottom parts using the 1/4-20 body bolts.



**4.** The 1/4-20 Hex bolt and washer are used to attach vehicle's radiator support.



**5.** 916144-31 Shaker Screen (Not included) can be attached using the supplied 1/4-20 body bolts.



# INSTRUCTIONS

© 2025, Speedway Motors, Inc.

**SPEEDWAY**  
motors®

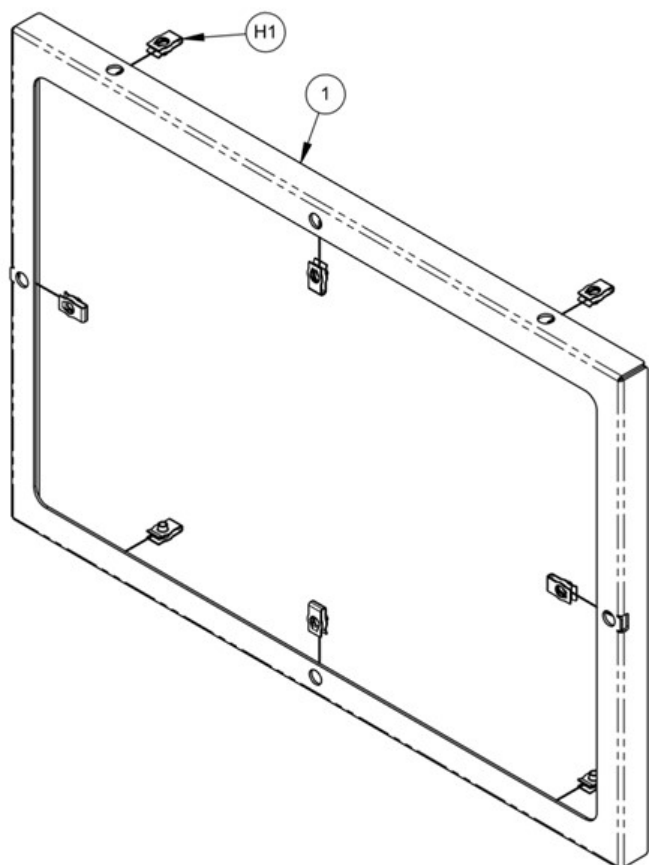
## 916-143-24 - Kit Contents

Qty	Part #	Description	Item #
1	916143.24.1	Frame, Shaker Screen	1
1	916143.24.2	Top & Bottom, Shaker Screen	2

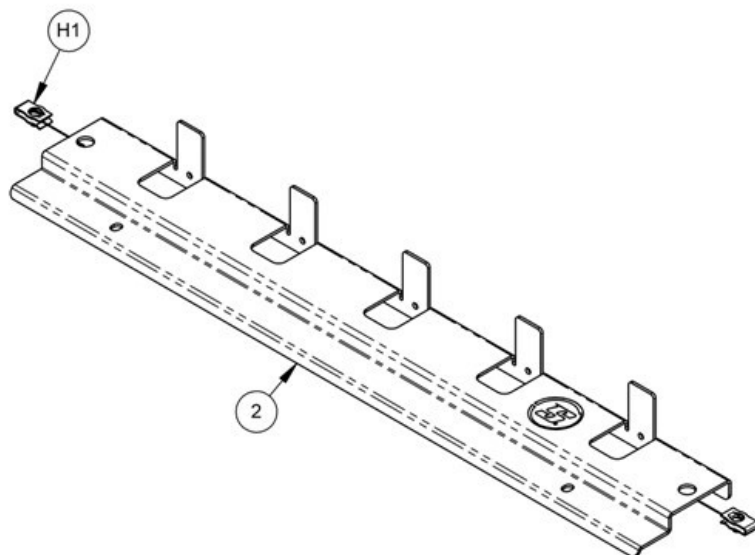
## Hardware

Qty	Description	Tool Size	Location
12	1/4-20 Nut Clip		H1
8	1/4-20 Body Bolt	7/16	H2
4	1/4-20 x 5/8" Lg. Hex Bolt	7/16	H3
4	1/4 Washer		H4

1. Press nut clips onto the frame as shown below.



2. Press nut clips onto the top and bottom parts as shown below.

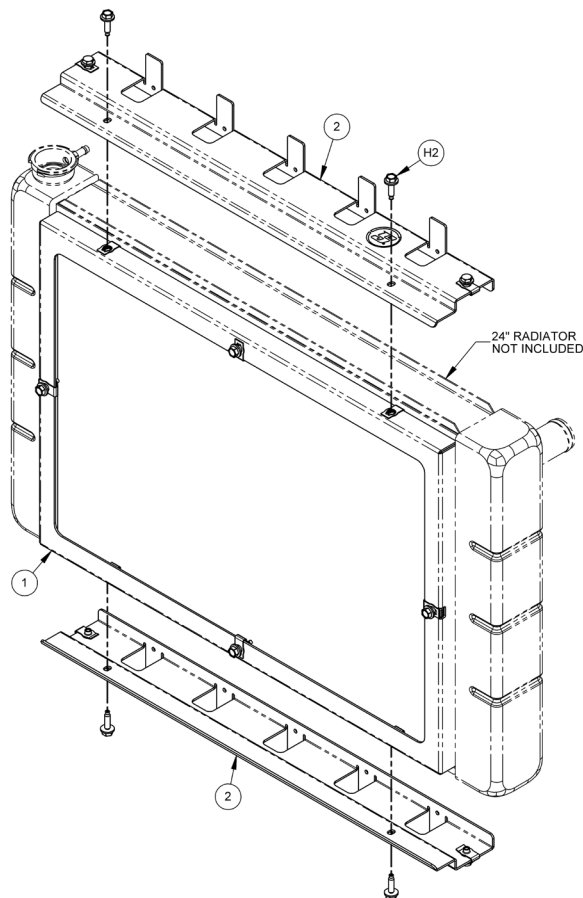


# INSTRUCTIONS

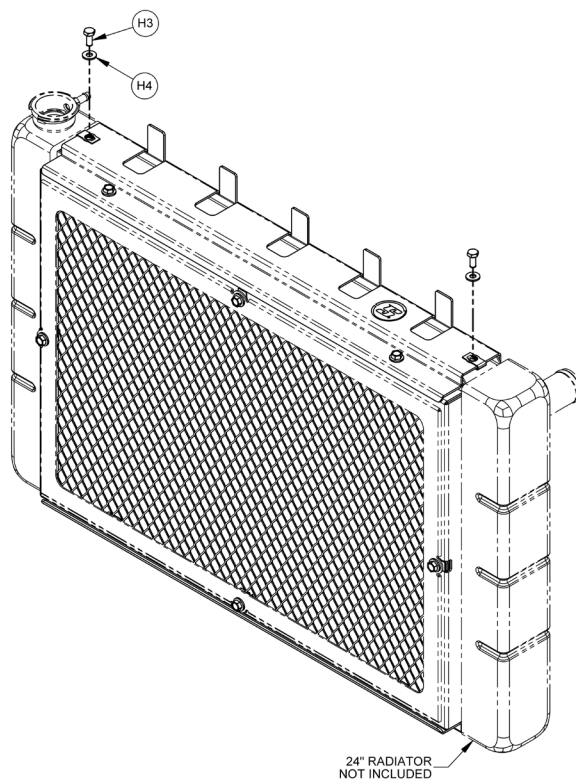
© 2025, Speedway Motors, Inc.

**SPEEDWAY**  
motors®

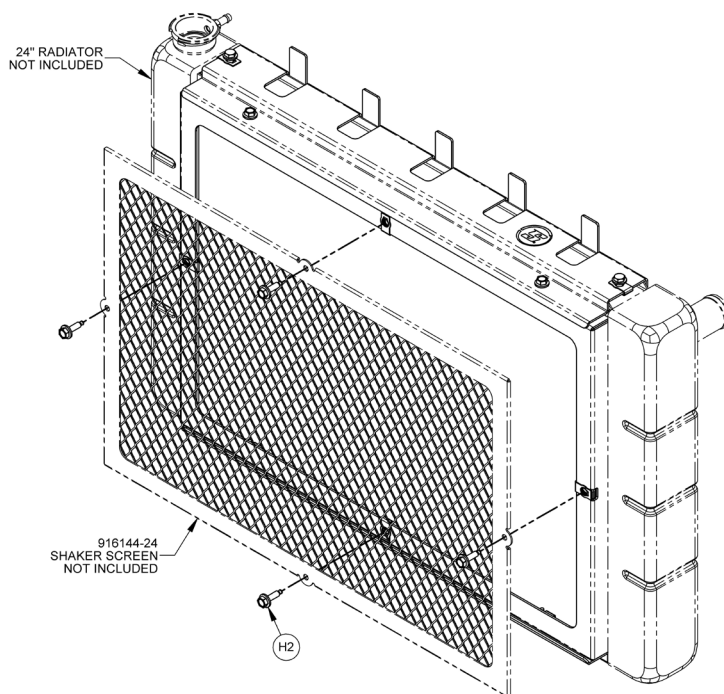
**3.** Place the frame in front of the radiator core. Attach the top and bottom parts using the 1/4-20 body bolts.



**4.** The 1/4-20 Hex bolt and washer are used to attach vehicle's radiator support.



**5.** 916144-31 Shaker Screen (Not included) can be attached using the supplied 1/4-20 body bolts.



# INSTRUCTIONS

© 2025, Speedway Motors, Inc.

**SPEEDWAY**  
motors®

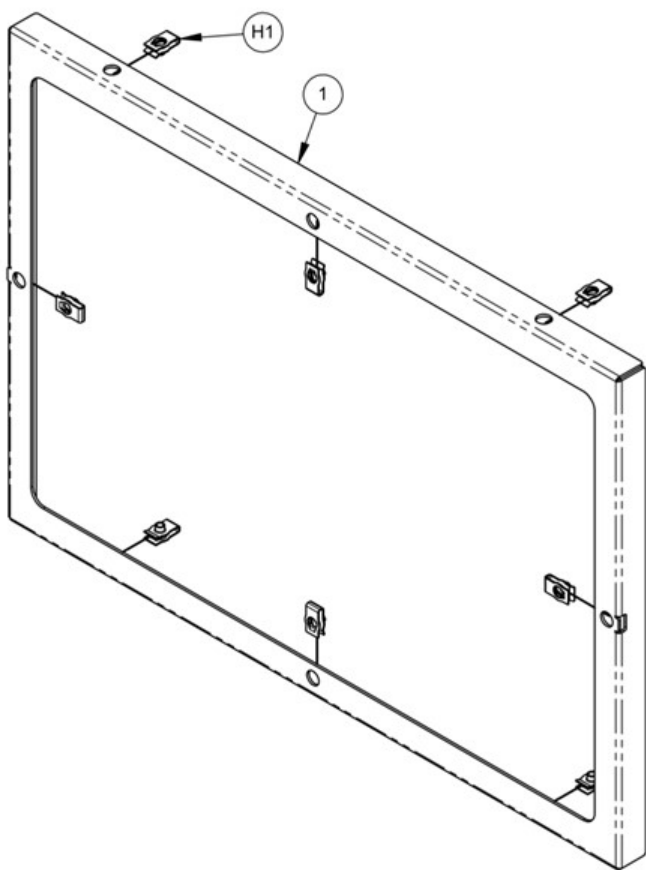
## 916-143-26 - Kit Contents

Qty	Part #	Description	Item #
1	916143.26.1	Frame, Shaker Screen	1
1	916143.26.2	Top & Bottom, Shaker Screen	2

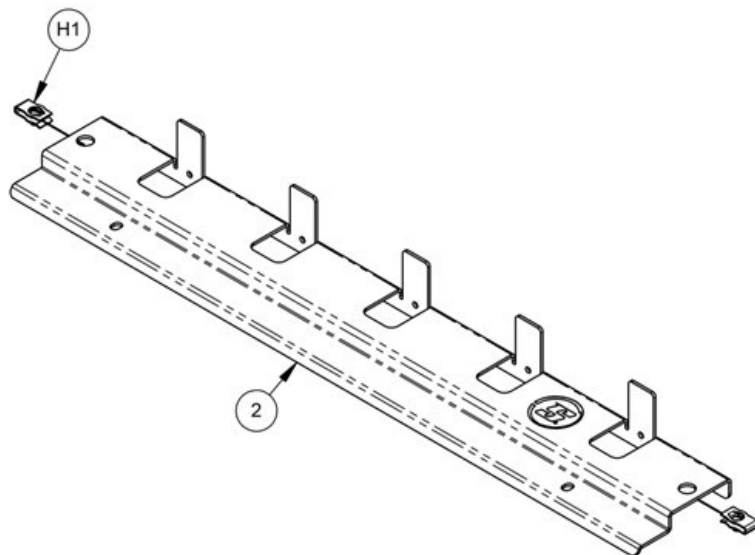
## Hardware

Qty	Description	Tool Size	Location
12	1/4-20 Nut Clip		H1
8	1/4-20 Body Bolt	7/16	H2
4	1/4-20 x 5/8" Lg. Hex Bolt	7/16	H3
4	1/4 Washer		H4

1. Press nut clips onto the frame as shown below.



2. Press nut clips onto the top and bottom parts as shown below.



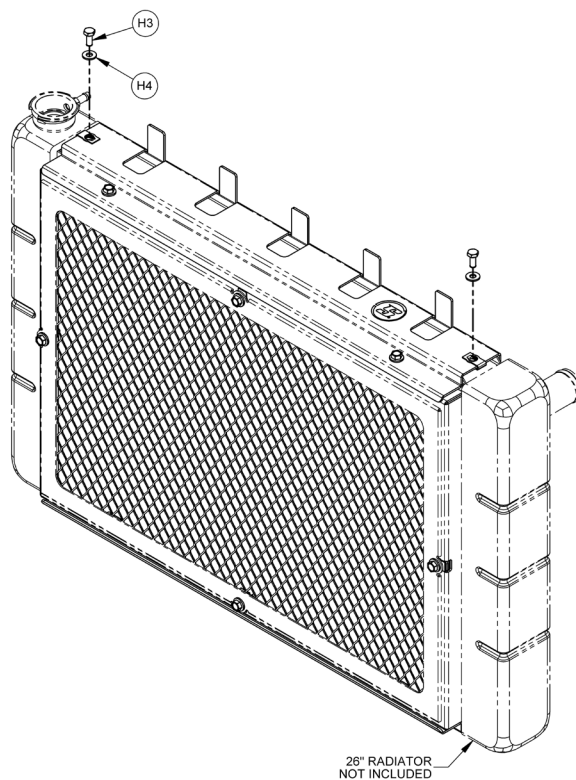
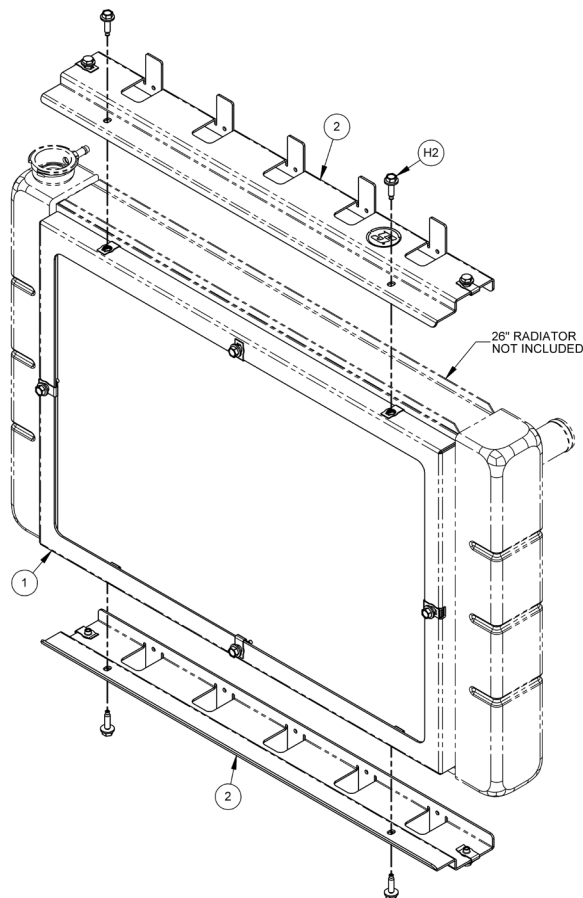
# INSTRUCTIONS

© 2025, Speedway Motors, Inc.

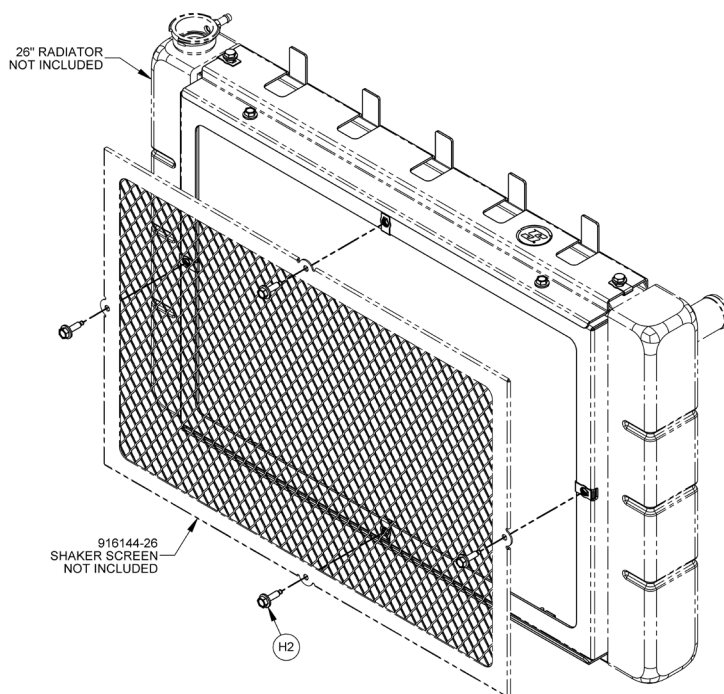
**SPEEDWAY**  
motors®

**3.** Place the frame in front of the radiator core. Attach the top and bottom parts using the 1/4-20 body bolts.

**4.** The 1/4-20 Hex bolt and washer are used to attach vehicle's radiator support.



**5.** 916144-31 Shaker Screen (Not included) can be attached using the supplied 1/4-20 body bolts.



# INSTRUCTIONS

© 2025, Speedway Motors, Inc.

**SPEEDWAY**  
motors®

## 916-143-28

### Kit Contents

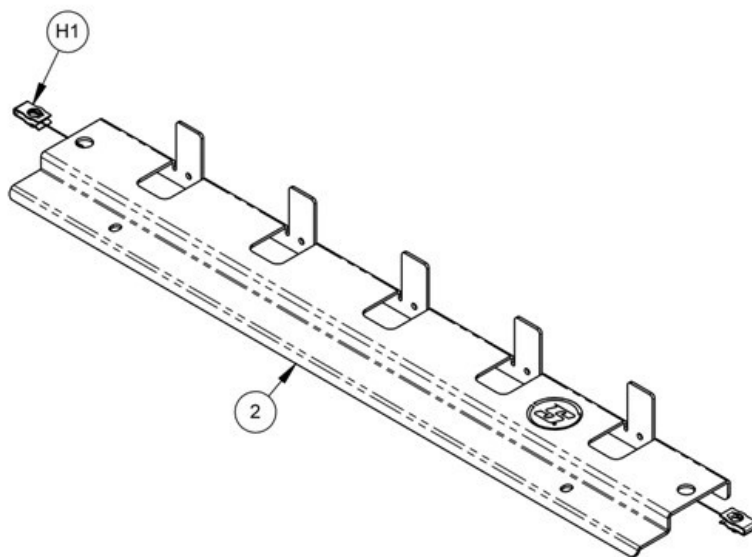
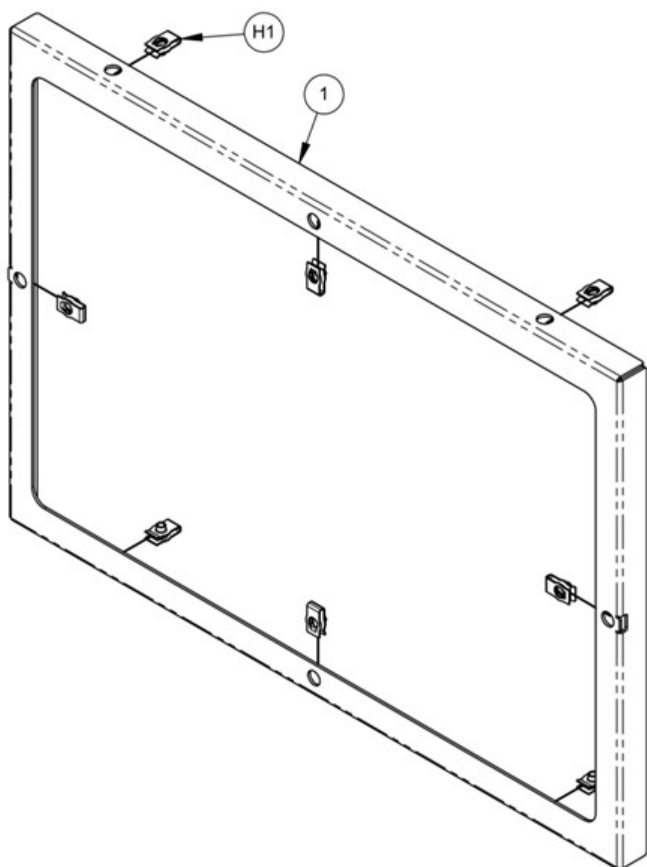
Qty	Part #	Description	Item #
1	916143.28.1	Frame, Shaker Screen	1
1	916143.28.2	Top & Bottom, Shaker Screen	2

### Hardware

Qty	Description	Tool Size	Location
12	1/4-20 Nut Clip		H1
8	1/4-20 Body Bolt	7/16	H2
4	1/4-20 x 5/8" Lg. Hex Bolt	7/16	H3
4	1/4 Washer		H4

1. Press nut clips onto the frame as shown below.

2. Press nut clips onto the top and bottom parts as shown below.

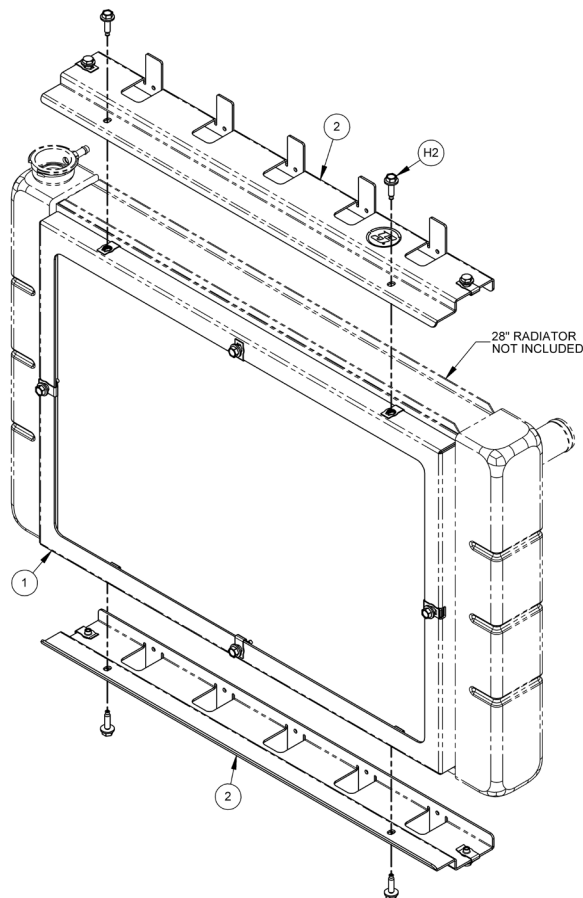


# INSTRUCTIONS

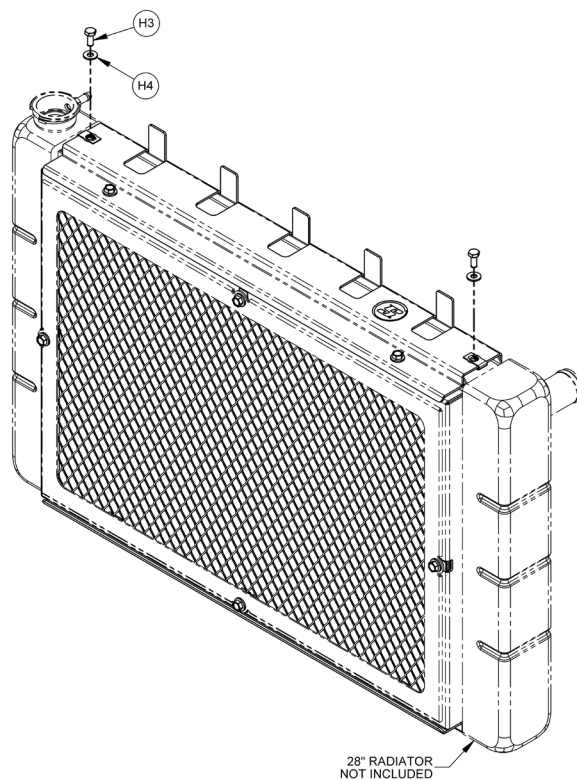
© 2025, Speedway Motors, Inc.

**SPEEDWAY**  
motors®

**3.** Place the frame in front of the radiator core. Attach the top and bottom parts using the 1/4-20 body bolts.



**4.** The 1/4-20 Hex bolt and washer are used to attach vehicle's radiator support.



**5.** 916144-31 Shaker Screen (Not included) can be attached using the supplied 1/4-20 body bolts.

