

# INSTRUCTIONS

© 2024, Speedway Motors, Inc.

**SPEEDWAY**  
motors®

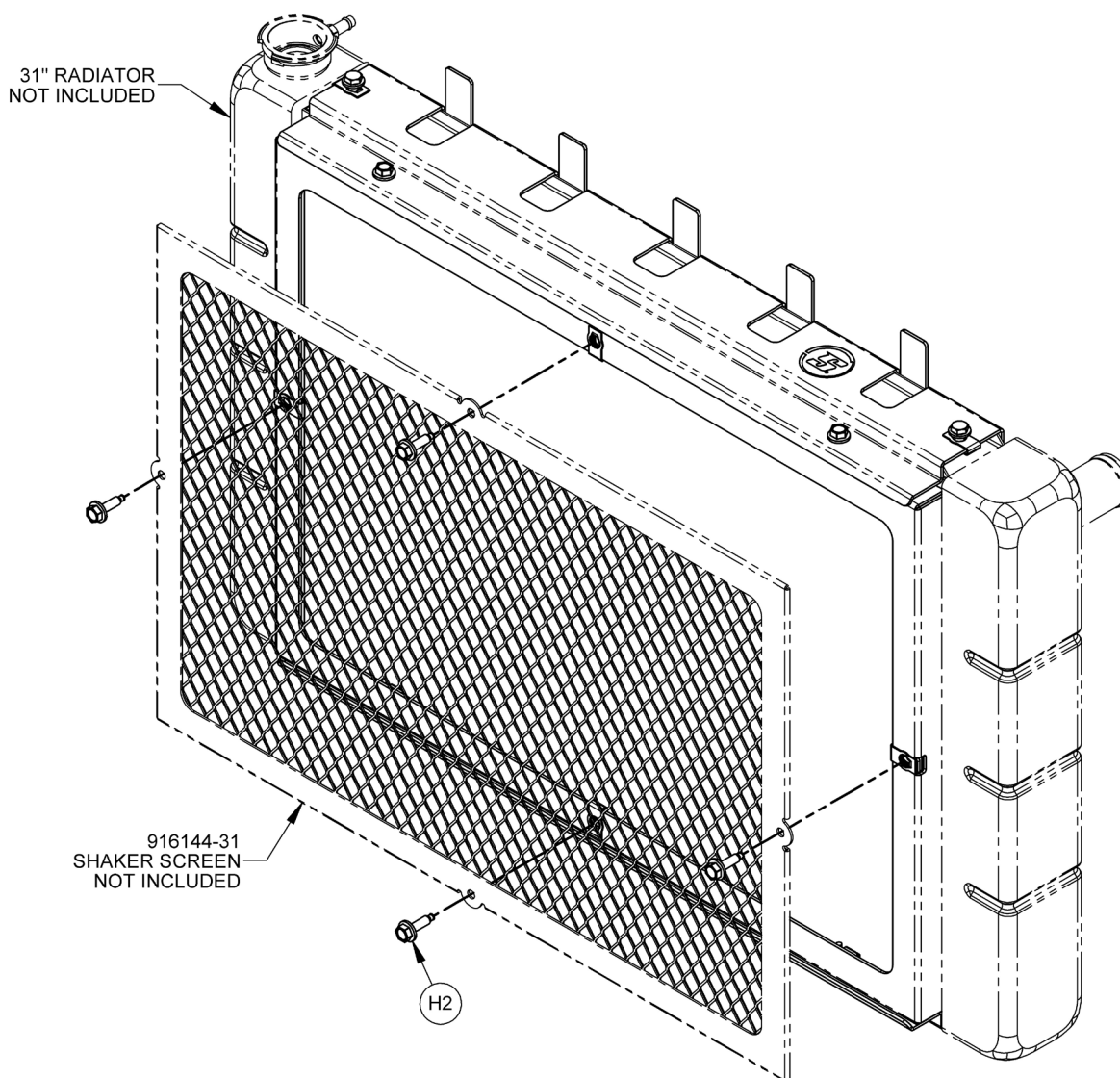
## 916-143-31 - Shaker Screen Frame and Mount

Kit Contents			
Qty	Part #	Description	View #
1	916143.1	Frame, Shaker Screen	2
1	916143.2	Top & Bottom, Shaker Screen	3

Hardware			
Qty	Description	Tool Size	Item #
12	1/4-20 Nut Clip		H1
8	1/4-20 Body Bolt	7/16	H2
4	1/4-20 x 5/8" lg. Hex Bolt	7/16	H3
4	1/4 Washer		H4

**NOTE:** Radiator and shaker screen not included. Sold separately.



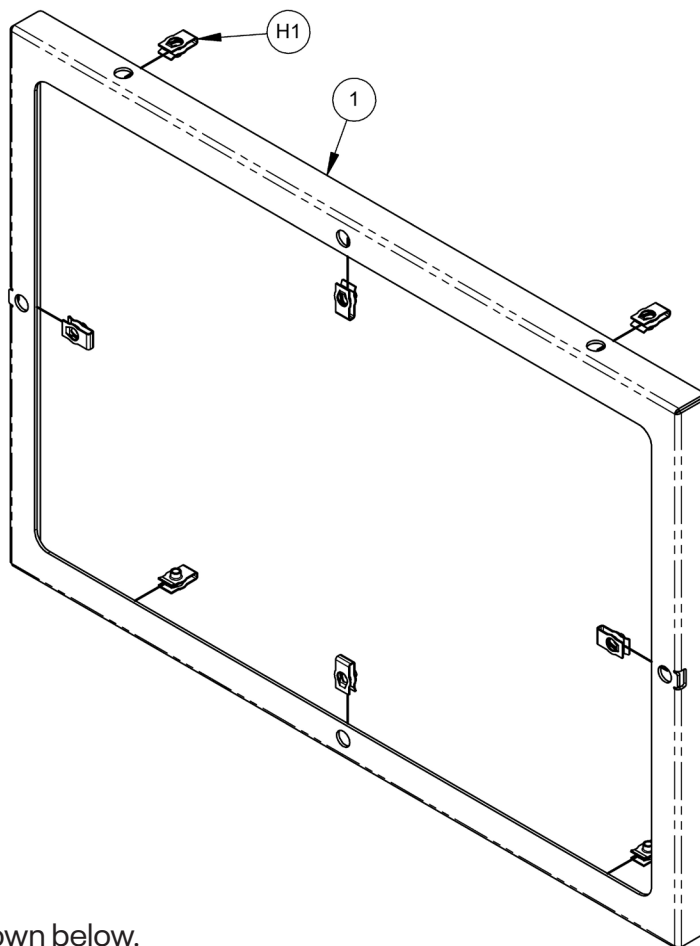
# INSTRUCTIONS

© 2024, Speedway Motors, Inc.

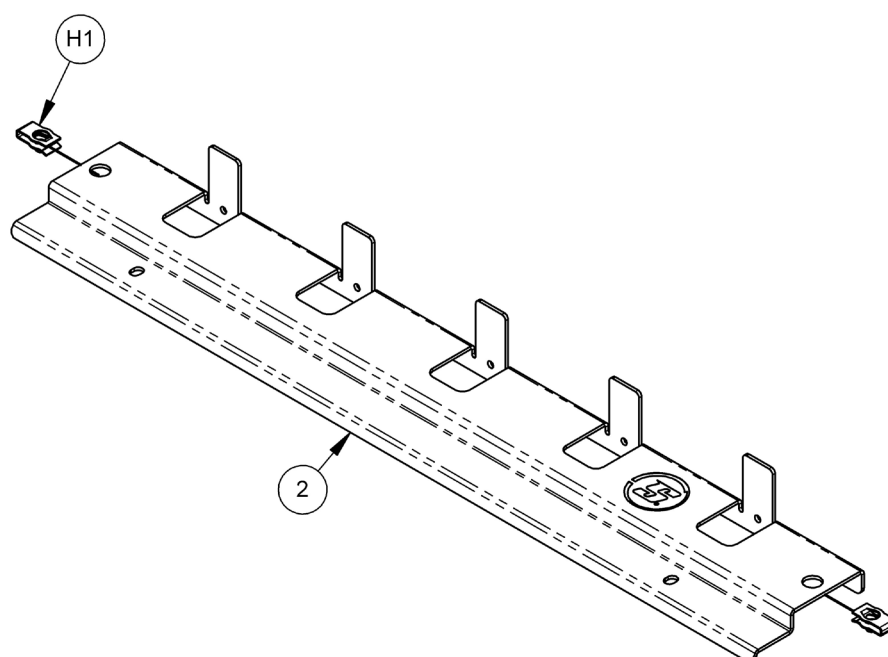
**SPEEDWAY**  
motors®

## Shaker Screen Mount Instructions:

1. Press nut clips onto the frame as shown below.



2. Press nut clips onto the top and bottom parts as shown below.

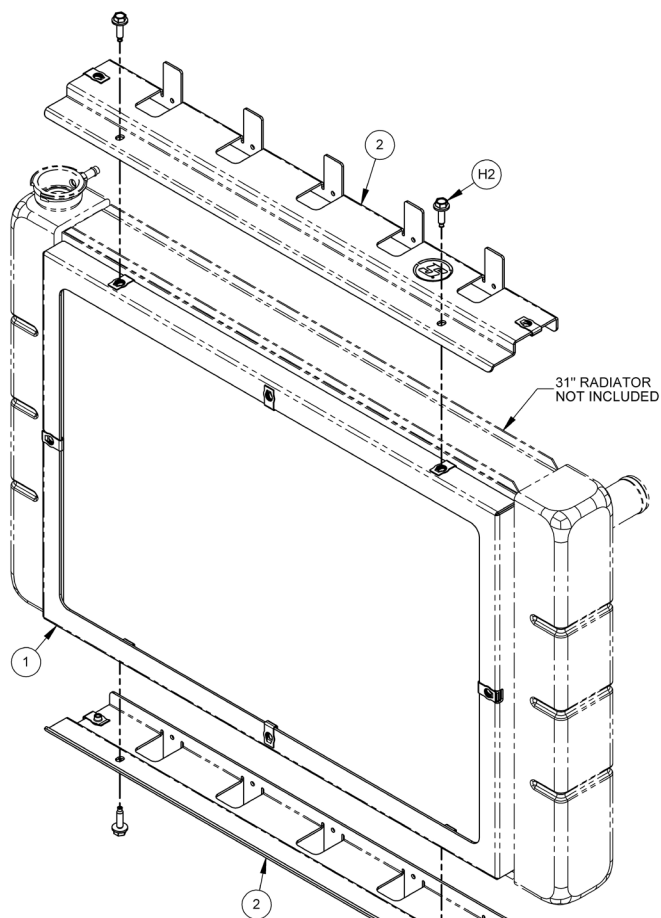


# INSTRUCTIONS

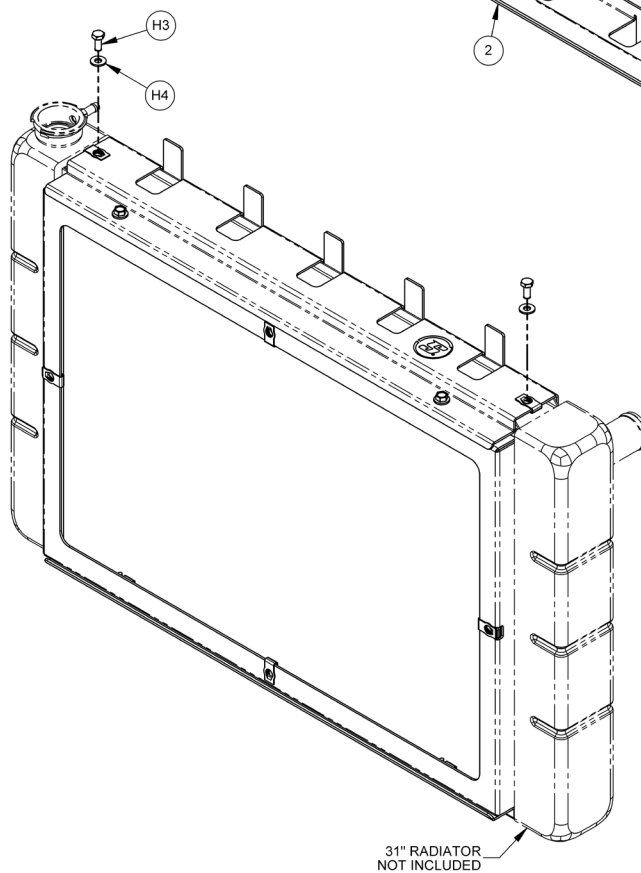
© 2024, Speedway Motors, Inc.

**SPEEDWAY**  
motors®

**3.** Place the frame in front of the radiator core. Attach the top and bottom parts using the 1/4-20 body bolts.



**4.** The 1/4-20 Hex bolt and washer are used to attach vehicle's radiator support.



**5.** 916144-31 Shaker screen (not included) can be attached using the supplied 1/4-20 body bolts.