

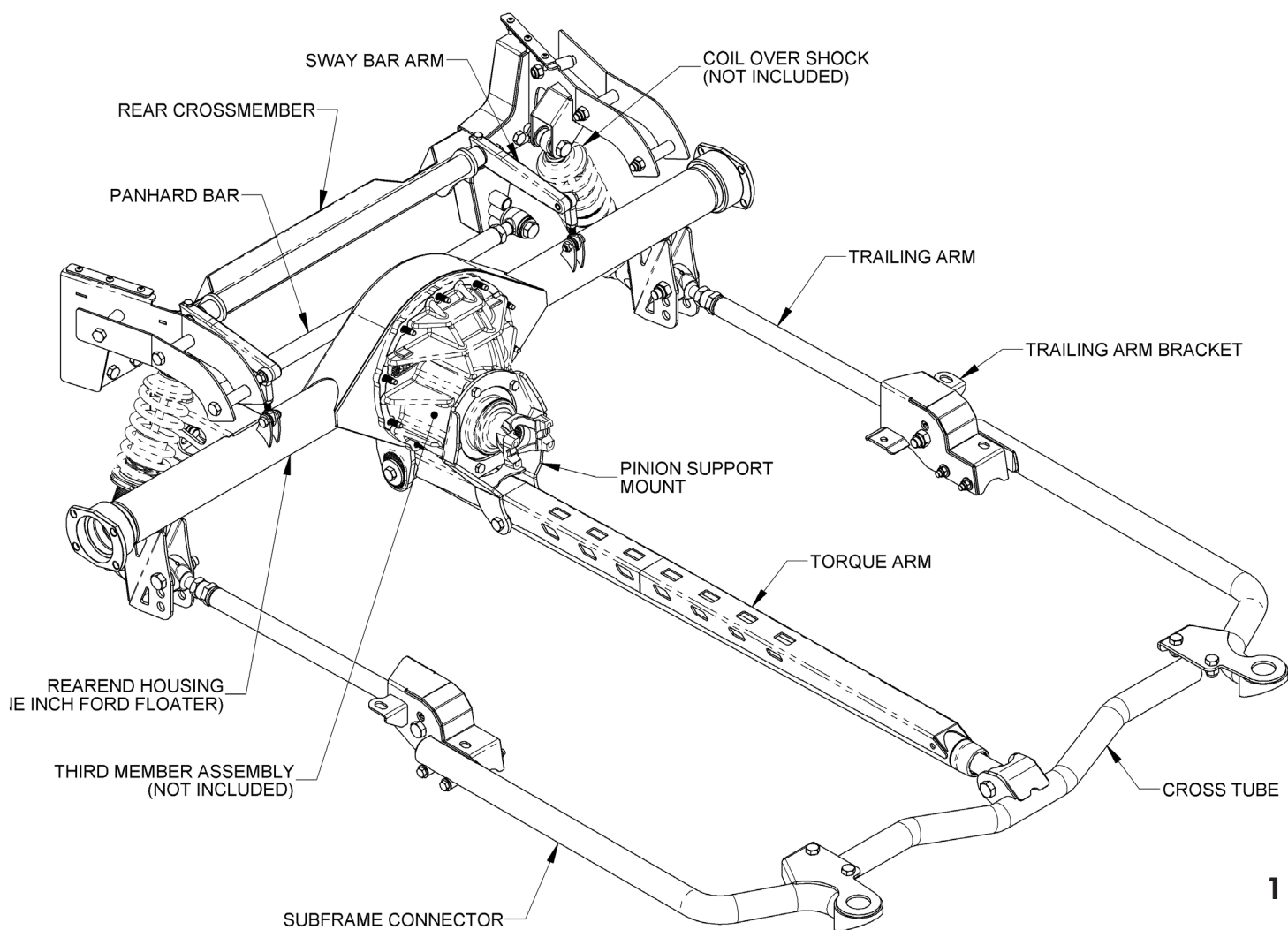
INSTRUCTIONS

© 2023, Speedway Motors, Inc.

SPEEDWAY
motors®

916-17081F - Torque Arm Rear Suspension: 1970-81 Chevy Camaro

KIT CONTENTS		
Qty	Description	P/N
1	Sway Bar, Nova Rear	350-402
1	Hardware, Trailing Arm	916-16769.105
1	Hardware, Torque Arm	916-16769.106
1	Hardware, Panhard Arm	916-16769.108
1	Hardware, Shock Mount	916-16769.109
1	Rear End Assembly, 2nd Gen	916-17081F.1
1	Subframe Connectors	916-17081.101
1	Torque Arm Parts, 2nd Gen	916-17081.102
1	Trailing Arms and Mounts	916-17081.103
1	Rear Crossmember, 2nd Gen	916-17081.104
1	Hardware, Rear Crossmember, 2nd Gen	916-17081.105
1	Hardware, Subframe Connector	916-17081.106
1	Panhard Bar, 2nd Gen	916-17081.7
1	Hardware, Leaf Mount Bracket	926-10665

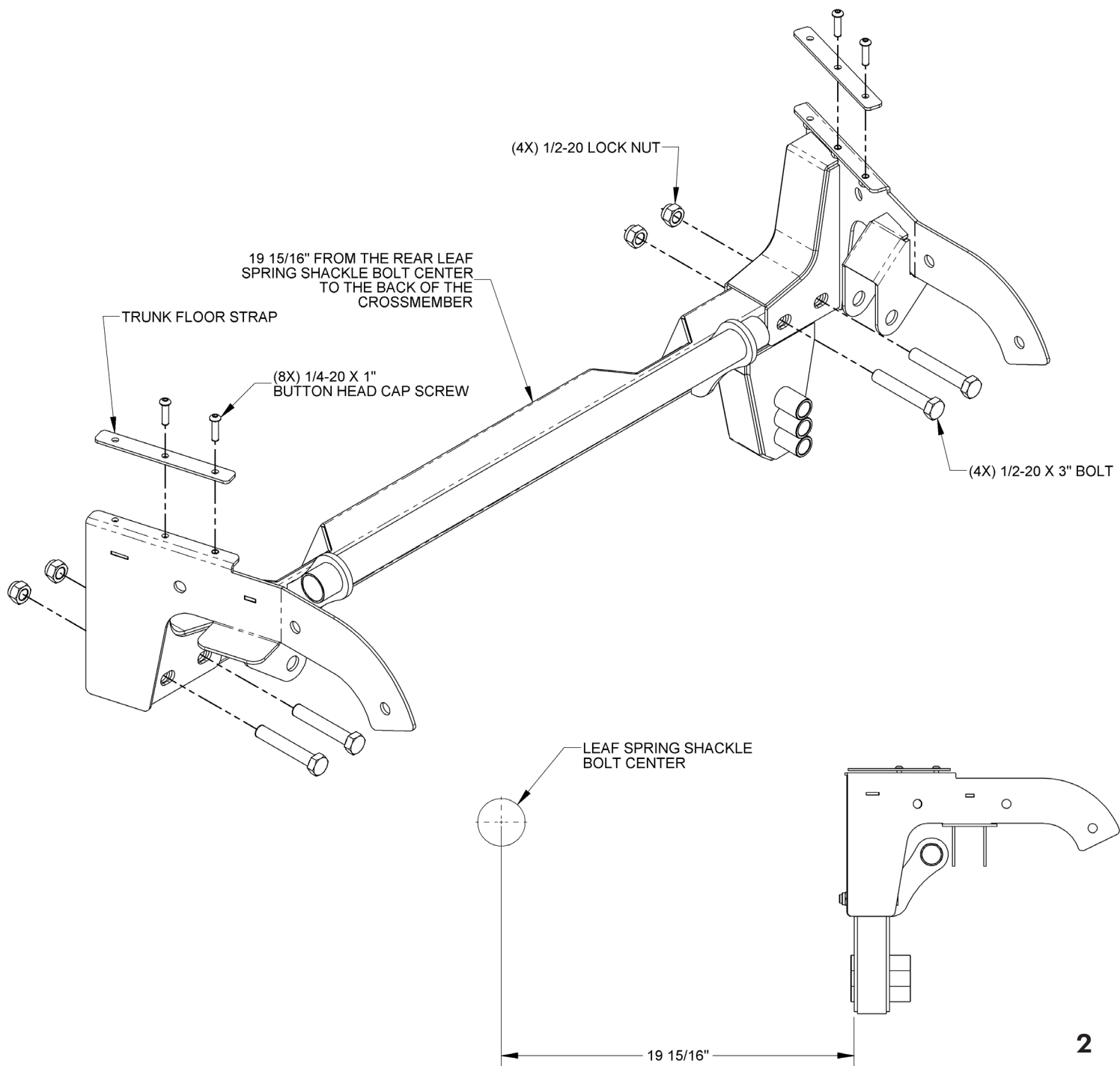


INSTRUCTIONS

© 2023, Speedway Motors, Inc.

SPEEDWAY
motors®

1. **Remove Rear Suspension:** Raise the car and support it with jack stands or a lift. Remove; the exhaust, drive shaft, rear end, and all rear suspension components including the rubber bump stops. Remove fuel lines, brake lines, and E-brake cables from bottom of car.
2. **Positioning Rear Crossmember:** Loosely bolt rear crossmember together using the four supplied 1/2"-20 x 3" bolts and lock nuts as shown below. The rear crossmember assembly will sit between the factory frame rails and sit against the floor of the car. The rails should be flush with the outer plates of the assembly. The rear crossmember should be 19-15/16" from the factory rear leaf spring shackle bolts. Clamp the crossmember securely in place.

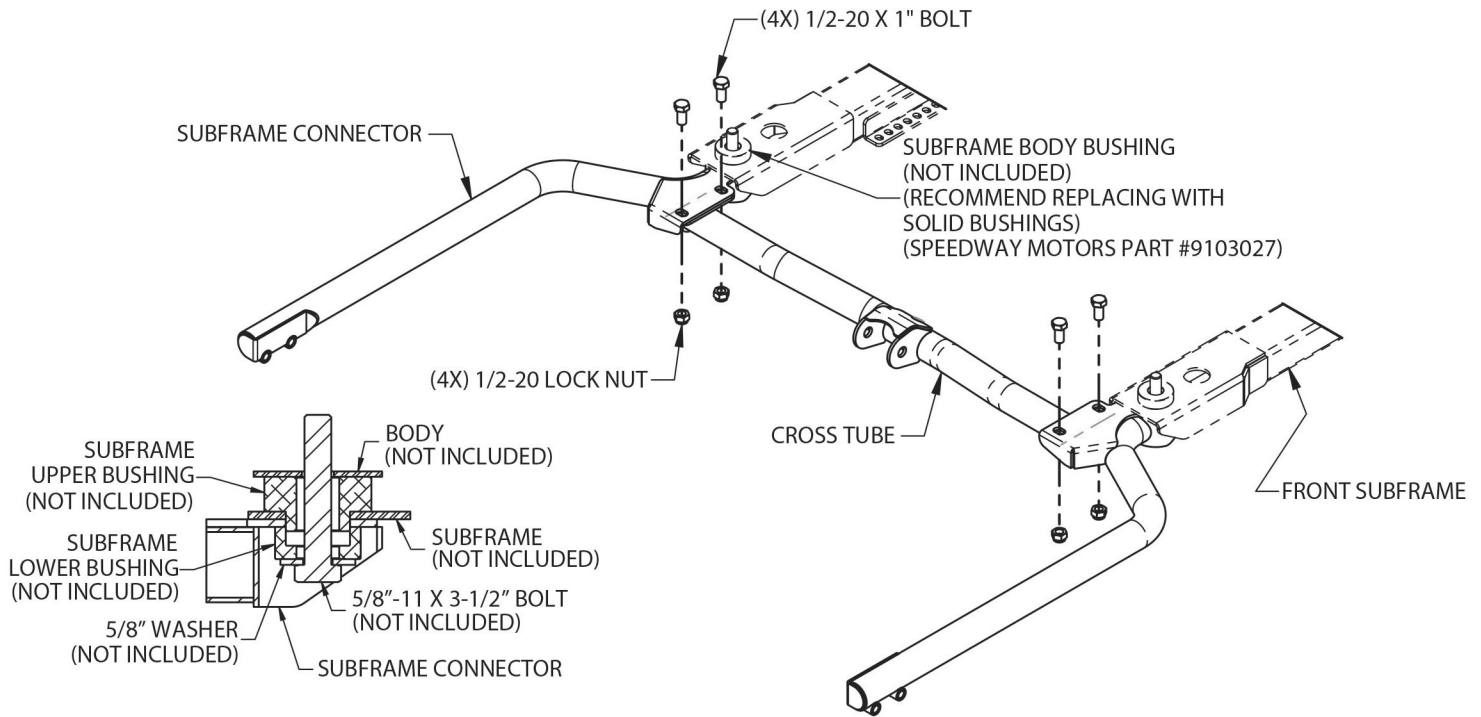


INSTRUCTIONS

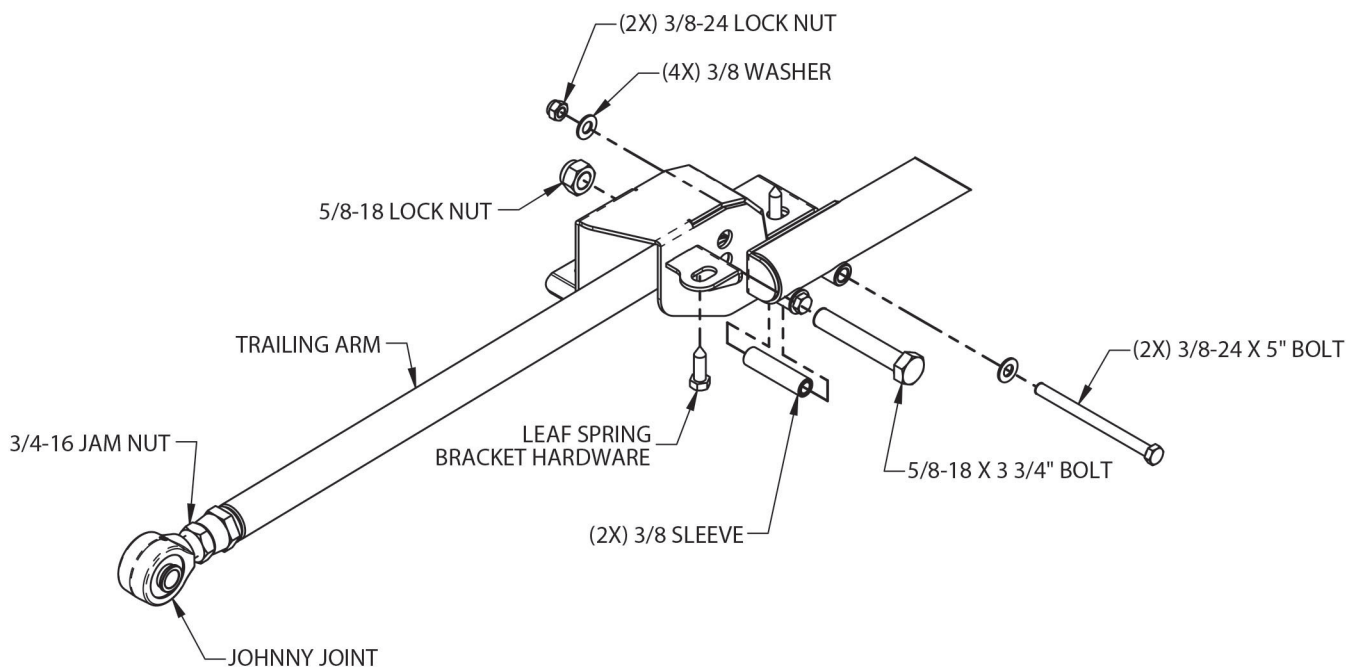
© 2023, Speedway Motors, Inc.

SPEEDWAY
motors®

3. Installing Cross Tube and Subframe Connectors: Unbolt the subframe rear bushings. Bolt each subframe connector to the subframe with the lower bushing to the bottom of the connector. Loosely bolt cross tube using the supplied 1/2"-20 x 1" bolts and lock nuts as shown below.



4. Installing Trailing Arm Mounts: Assemble trailing arms leaving the jam nut loose. Center to center dimension should be 23" as a starting point. Bolt the trailing arms into the mount using the supplied 5/8"-18 x 3-3/4" bolt and lock nut as shown below. Note: Install bolt in direction as shown below and fully tighten. Loosely bolt mount to subframe connector using supplied 3/8"-24 x 5" bolts, washers, sleeves and lock nuts. Now loosely bolt the mount to the car using the OE leaf spring bracket hardware. Repeat process for the other side.

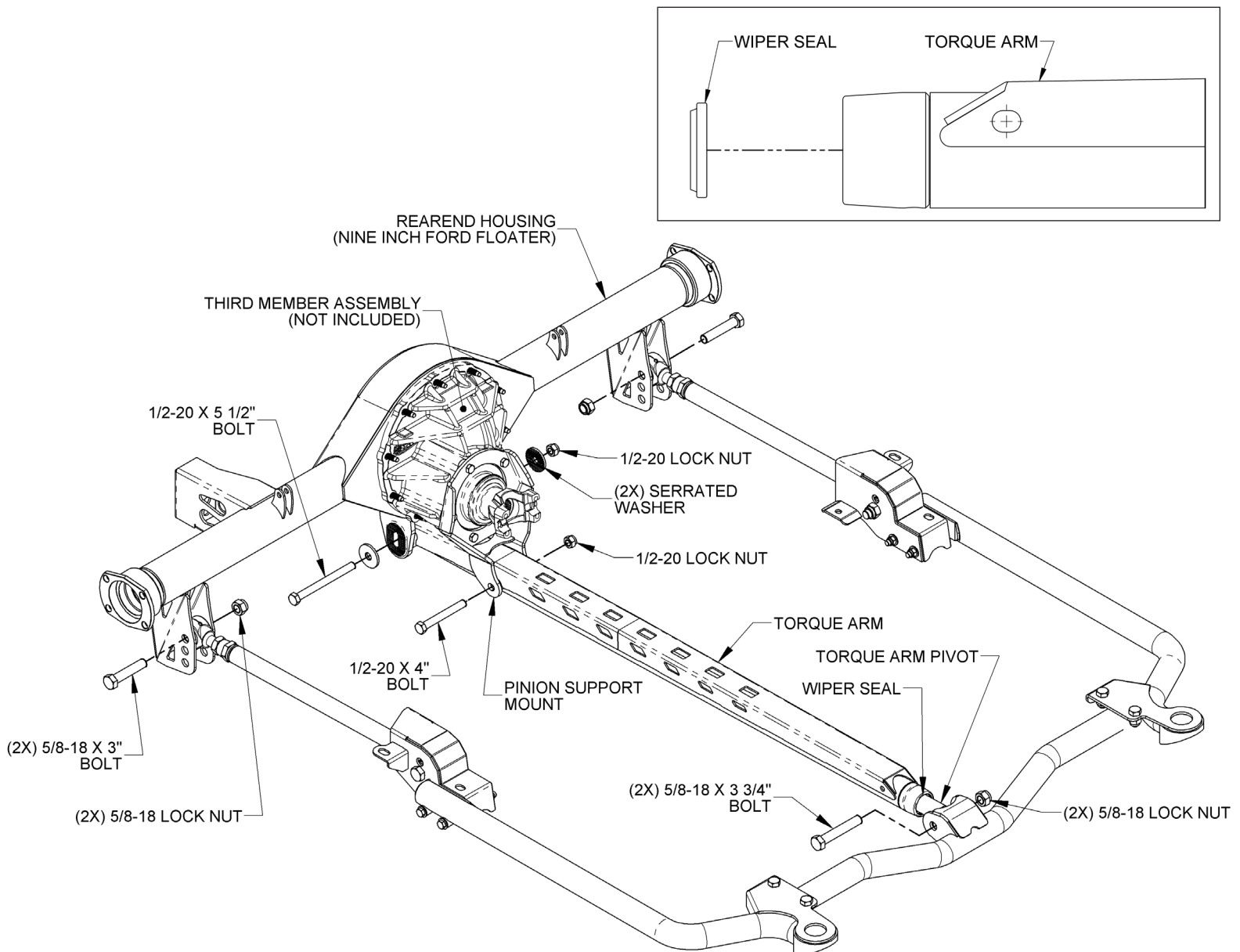


INSTRUCTIONS

© 2023, Speedway Motors, Inc.

SPEEDWAY
motors®

5. Rearend Housing Install: Install third member assembly into rearend housing. Remove the 3/8 bolts attaching the pinion support to the third member carrier housing. Attach the pinion support mount onto the pinion support using the supplied 3/8"-16 x 1-1/4" bolts. Apply blue loctite and tighten. Place the rearend housing on stands under the car at the approximate ride height location. Attach the trailing arms using the supplied 5/8"-18 x 3" bolts and lock nuts. Arms should be approximately level at ride height.
6. Installing the Torque Arm: Press the supplied spacer into each side of the torque arm. Press the wiper seal into the groove at the end of the torque arm. Slide the torque arm pivot into the end of the torque arm. Attach the torque arm to the housing using the supplied 1/2"-20 x 5-1/2" bolt, serrated washers and lock nut. Attach the torque arm to the pinion support mount using the supplied 1/2"-20 x 4" bolt and lock nut. Attach the torque arm pivot to the cross tube using the supplied 5/8"-18 x 3-3/4" bolt and lock nut.

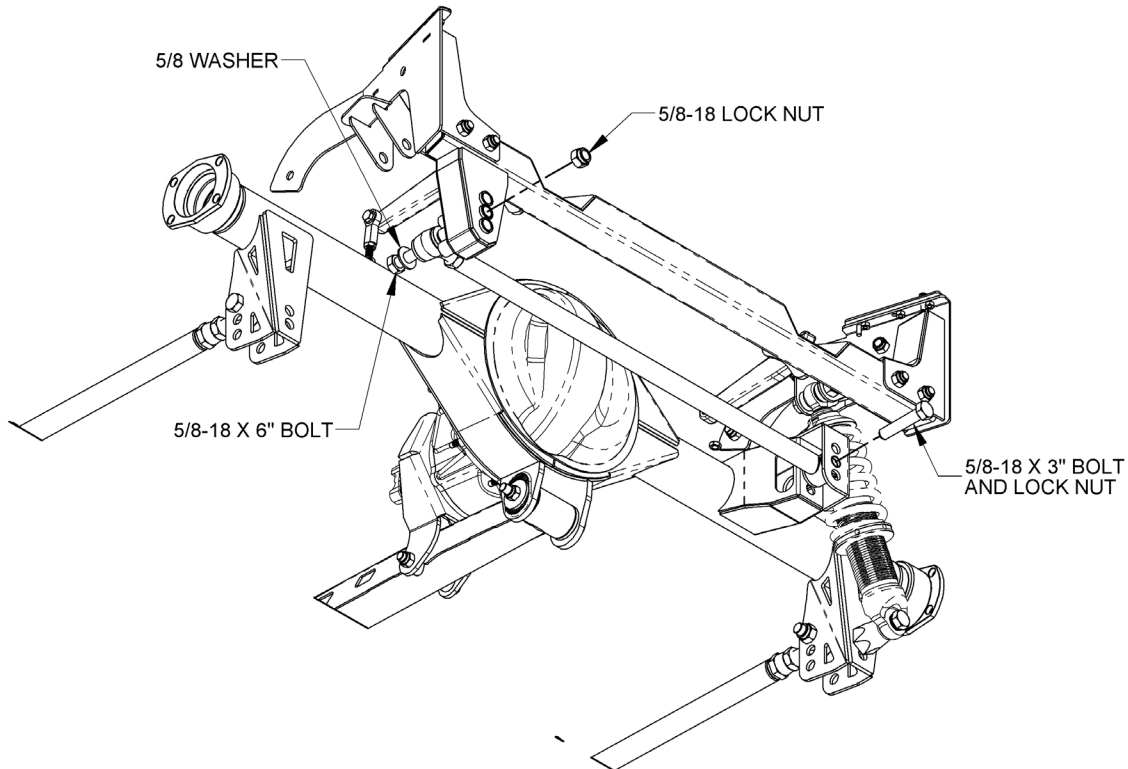


INSTRUCTIONS

© 2023, Speedway Motors, Inc.

SPEEDWAY
motors®

7. Installing the Panhard Bar: Assemble panhard bar leaving the jam nut loose. Center to center dimension should be 30" as a starting point. Attach the panhard bar to the rearend housing using the supplied 5/8"-18 x 3" bolt and lock nut. Attach the panhard bar to the rear cross member using the supplied 5/8"-18 x 6" bolt, washer and lock nut.
- NOTE:** There are three possible locations for each end of the panhard bar. Use the mounting holes that make the panhard bar level with the ground at ride height. This will vary depending on ride height.

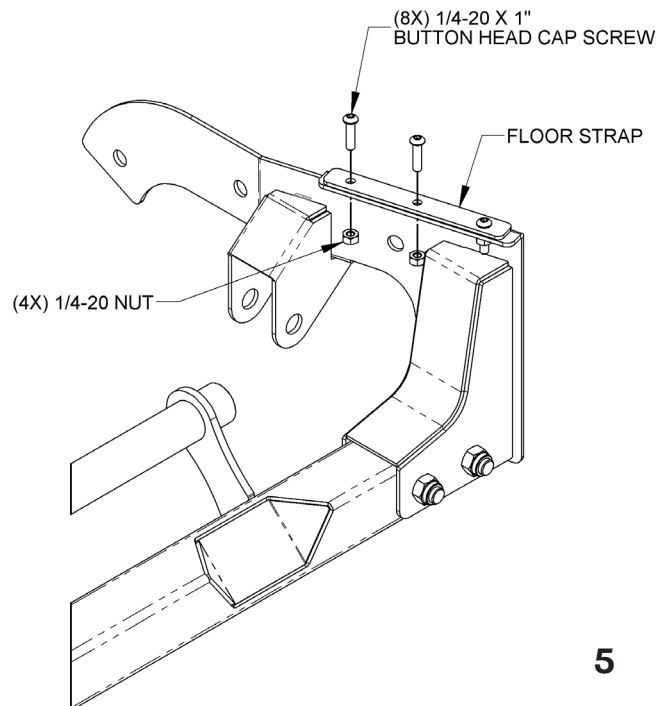


8. Check Alignment and Clearances: At this point, cycle the suspension through its travel and check for any clearance issues.

9. Drilling for Rear Crossmember:

Trunk Floor Strap Holes

- 9.1 Remove components, leaving crossmember securely clamped.
- 9.2 Starting on one side, drill the 2 inner strap holes with 1/4 x 12" long drill bit from the underside of the car.
- 9.3 Install strap with 1/4-20 x 1" cap screws on center holes.
- 9.4 Mark the two outer hole locations to be drilled later.
- 9.5 (Repeat on opposite side)



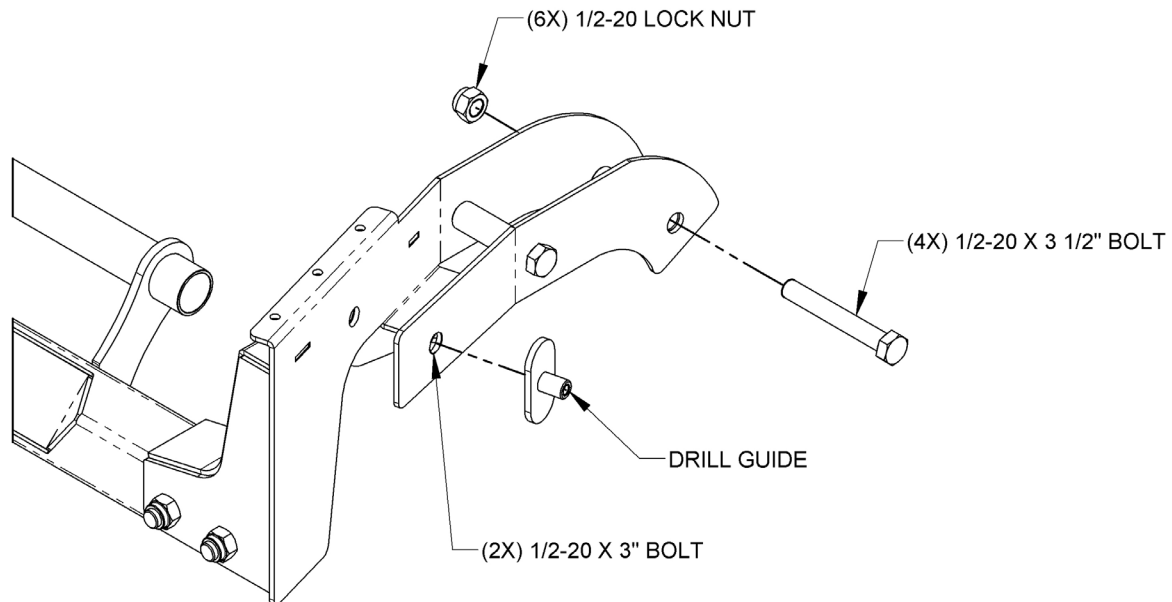
INSTRUCTIONS

© 2023, Speedway Motors, Inc.



Crossmember Frame Holes:

- 9.6 Clamp drill guide into front hole and drill with 1/4" drill bit.
- 9.7 Repeat with second hole.
- 9.8 Enlarge both holes to 1/2".
- 9.9 Secure outer frame plate using the supplied 1/2"-20 x 3" bolt and nuts in front two holes.
- 9.10 Clamp drill guide into the rear hole of the outer plate and clamp to the frame. Drill with 1/4" drill bit.
- 9.11 Enlarge the hole to 1/2".
- 9.12 (Repeat on opposite side)
- 9.13 Unbolt outer frame plate and lower crossmember.
- 9.14 Enlarge only the outer six holes of the frame rail to 3/4".
- 9.15 Insert the 1/2" sleeve, trim to fit.
- 9.16 Drill the four remaining trunk floor strap holes.
- 9.17 Install crossmember with 1/4"-20 x 1" cap screws, floor straps, and nuts.
- 9.18 Install 1/2"-20 bolts, washers, sleeves, outer frame plates and lock nuts. 3" long bolts will be used in the hole towards the rear of the car. 3-1/2" long bolts will be used in the other two holes.
- 9.19 Tighten.



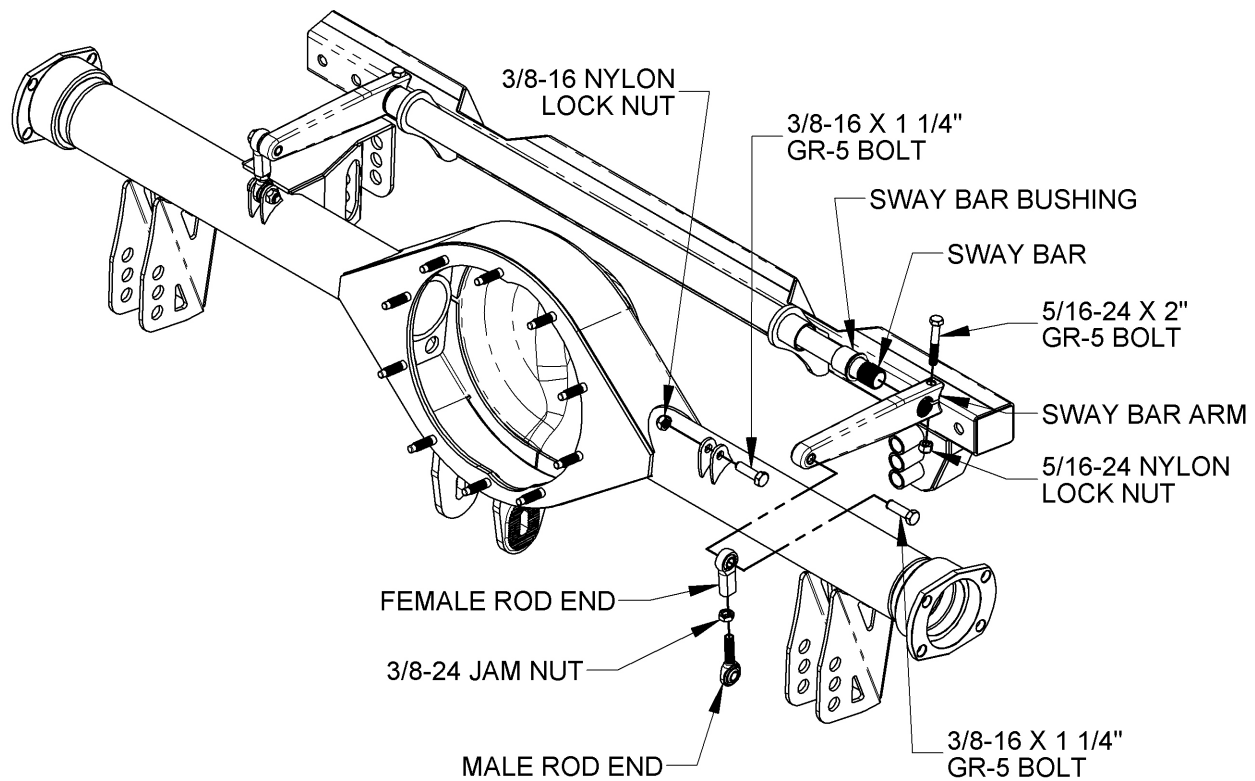
10. Re-Assemble: Reinstall the panhard bar, rear end, and torque arm to the car. Tighten the subframe bushing bolts and cross tube bolts. Jack the rearend to approximate ride height. Square the rearend by adjusting the length of the trailing arms. Once the rearend is squared, tighten bolts for the trailing arms and trailing arm mounts. Adjust panhard bar length to center the rearend. Tighten panhard bar hardware after centered. Tighten the torque arm pivot hardware. Adjust the pinion angle by lowering or raising the rear torque arm bolt within the slot. Once you have reached your desired pinion angle, tighten the remaining torque arm hardware.

INSTRUCTIONS

© 2023, Speedway Motors, Inc.

SPEEDWAY
motors®

11. Install Sway Bar: Press the sway bar bushings into the sway bar housing on the crossmember by lightly tapping them into place with a rubber mallet (be sure the bushings are going in straight). With the bushings in place, slide the sway bar into the housing. Slide one of the torsion arms onto the splined portion of the sway bar so it sits flush with the end of the bar. Install the 5/16-24 x 2" bolt and lock nut onto the arm and tighten. Install one of the male rod ends onto the outside of the arm using a 3/8-16 x 1-1/4" bolt. Now thread the jam nut and female rod end onto the male rod end leaving roughly 1/4" of threads showing. Attach the female rod end to the rear end housing using 3/8-24 x 1-1/4" bolt and lock nut.



Assemble the opposite side in the same manner. **Note:** Once the vehicle is fully assembled and sitting at ride height on level ground, it is a good idea to disconnect one side of the sway bar links and adjust the length of the rod ends until there is no pre-load and the holes line up perfectly.

12. Now is a good time to fully assemble the rear end by installing the axles and brakes.

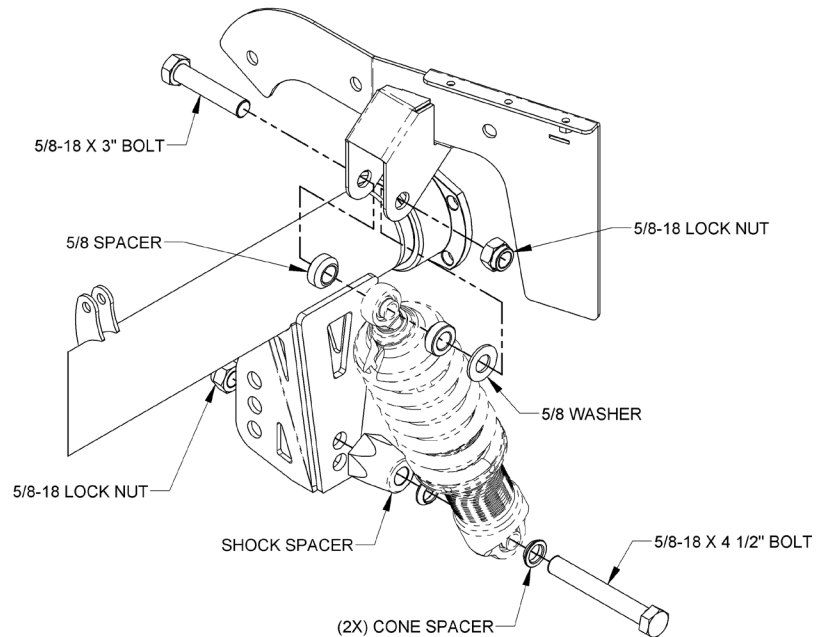
INSTRUCTIONS

© 2023, Speedway Motors, Inc.

SPEEDWAY
motors®

- 13.** Install the coil-over shocks. To install the shock, first use a 5/8"-18 x 4-1/2" bolt, spacers and lock nut to secure the lower end of the shock to the rear end housing as shown. The remaining 5/8"-18 x 3" bolts, spacers, washer and lock nuts are used to install the top of the shocks into the rear crossmember.

Note: This kit is design to use 4" stroke shocks with a compressed length of 10-11" and an extended length of 14-15". Shock ends should be 5/8" bearings with a mounting width of 9/16". For recommended part numbers, please visit our website or contact one of our tech experts.



- 14.** Re-install: Drive shaft, fuel lines, brake lines, exhaust, etc.... Bleed the brakes. Fill the rear end with fluid. Install wheels and tires. Grease trailing arm johnny joints and torque arm pivot.

15. Alignment:

- Lower the car onto the ground and check for desired ride height. Adjust ride height if necessary by raising the car and spinning the adjusting collar on the coil-over.
- Once the ride height has been set, lower the car onto the ground and make sure the rear end is centered in the car body.
- Now that the ride height is set, check your rear end alignment. Adjust if necessary.

Note: This is difficult to do accurately and a professional alignment is recommended. This method will get you close enough to drive the car to an alignment shop.

IMPORTANT

DISCLAIMER In an effort to offer our customers low prices, quick service and great value, Speedway Motors reserves the right to change suppliers, specifications, colors, prices, materials without notice. Prices and policies that were current and in effect at the time of printing are also subject to change without notice. Quantities are limited on some items. Any unauthorized use of this catalog including words, photos or drawings is prohibited. Speedway is not responsible for any typographical errors, printing errors or misinterpretations

WARRANTY DISCLAIMER Purchasers understand and recognize that racing parts, specialized street rod equipment, and all other parts and services sold by Speedway Motors, Inc. are exposed to many and varied conditions due to the manner in which they are installed and used. Except for certain limited warranties, if any, set forth in Speedway Motors, Inc.'s current catalog with respect to the products and/or parts thereof identified on your invoice, each product, and each part thereof, is sold "as is", and "with all faults" and Speedway Motors, Inc. makes no warranties either expressed or implied, written or oral, with regard such products and services including, without limitation, any warranty of merchantability or fitness for a particular purpose. Without limiting the foregoing, there is no warranty expressed or implied as to whether the goods sold hereby will protect purchasers or ultimate end-users of such products and parts from injury or death. In no event shall Speedway Motors, Inc. be liable for any special, incidental or consequential damages, or any other damages whatsoever arising out of or connected with the use or misuse of the products and each part thereof. Purchasers acknowledge and agree that no person, entity or agent of Speedway Motors, Inc. has any authority to make any statement contrary to this disclaimer and that any warranty statements or representations allegedly made on behalf of Speedway Motors, Inc. by any such person, entity or agent are void. Purchasers are relying solely on their own skill and judgment to select, purchase and use suitable products and assume all responsibility and risk with regard thereto. Some local laws prohibit the use of utility jugs, funnels and barrel pumps for dispensing fuel. Please check your own state for more information, regulations or further direction in your use of the utility jugs, funnels and barrel pump described in Speedway's catalogs or on Speedway Motors websites. Some parts in this catalog are not legal for sale or use in California. Items sold in this catalog are for racing vehicles which may never be used on a highway. The use of manufacturer's names and symbols are for reference purposes only.

DAMAGE CLAIMS Please inspect all packages upon delivery and in the presence of the delivery driver when possible. The driver must note any visible damage and provide procedures for handling damage claims. To allow for a claims process, please retain original box, packing material and damaged merchandise. Contact Speedway Motors for instructions regarding damage claim within 5 days of receipt. Speedway Motors assumes no liability after this period.

SHORTAGES Please check the contents of your delivery to ensure that all parts ordered are received. Refer to your invoice to cross check all items received and inspect all packing materials for contents of small items. Retain original shipping box and packing materials. Orders may be split into multiple boxes which can be delivered on different days. Contact Speedway Motors for instructions regarding shortage claim within 5 days of receipt. Speedway Motors assumes no liability after this 5 day period.

REFUSALS All refused packages will be billed the freight to and from the destination and refused COD orders will be billed a 15% restocking charge plus freight to and from destination.

WARRANTY CLAIMS If the item is used or installed and a warranty claim request is submitted, warranty work is done by the manufacturer and may take up to 30 days for processing. Speedway Motors will be required to follow the manufacturer's warranty instructions to allow for a credit refund or exchange when specified.

RETURNS We want you to be satisfied with your purchase. If you are not satisfied, you may return your new, unused item within 60 days for refund or exchange.

All exchanged or returned merchandise must be in original factory condition with no modifications or alterations. Returned merchandise must include original packaging materials, warranty cards, manuals, instructions, etc. If the returned item requires repackaging, your refund / exchange will be subject to a repackaging charge. Return/Exchange transactions less than \$99 are excluded from the free shipping offer.

HOW TO RETURN AN ITEM Please re-pack the item in a sturdy box, include a copy of your invoice and completed return form. Returns must be shipped prepaid. CODs are not accepted. Shipping costs for exchanged merchandise will be charged to your credit card.

Items that are returned after 60 days are subject to a 15% restocking charges. Fiberglass items returned will be subject to a 15% restocking charge. We are unable to accept returns on electrical parts, video tapes, DVD's, books, special order or closeout merchandise.

BRAKE INSTALLATION ALERT The selection and installation of brake components should only be done by personnel experienced in the proper installation and operation of braking systems. The installer must use his/her own discretion to determine the suitability of all brake components and brake kits for every particular application. Speedway Motors, Inc. makes no warranties either expressed or implied including any warranty of merchantability or fitness for a particular purpose, other than those contained in its current catalog or website with respect to the goods identified on the face of the invoice. There is no warranty expressed or implied as to whether the goods sold hereby will protect the purchaser or ultimate user of such goods from injury or death.

EXHAUST INSTALLATION ALERT Exhaust systems and other component surface finishes are not permanent. Coatings, paint and other factory supplied cosmetic treatments are only intended to protect from surface corrosion in an unused state. No returns are allowed after the parts have been installed. Header flanges must be clean and clear of paint and surface contaminants prior to mating to exhaust gaskets. Exhaust fasteners must be re-torqued after the initial heat cycle and regularly thereafter to ensure a proper gasket seal is maintained. Should you decide to install this exhaust product at your home, be warned that pleasure car or light duty truck/van "bumper" jacks are intended for emergency use only. The use of frame contact jack stands in conjunction with a floor jack as a main support is highly recommended to minimize accidental dropping of a vehicle while the installation proceeds. We recommend the use of a shop hoist if possible. Please use caution! Speedway Motors, Inc. makes no warranties either expressed or implied including any warranty of merchantability or fitness for a particular purpose, other than those contain in its current catalog or website with respect to the goods identified on the face of the invoice. There is no warranty expressed or implied as to whether the goods sold hereby will protect the purchaser or ultimate user of such goods from injury or death.

CHECK LOCAL LAW Some parts are not legal for sale or use in California on any pollution controlled motor vehicles. These items are legal in California for racing vehicles only which may never be used upon a highway. Check local law.

Find the above info on our website:

SpeedwayMotors.com/Info/FAQ

© 2023, Speedway Motors, Inc.

Speedway Motors, Inc.

P.O. Box 81906 • Lincoln, NE 68501

800.979.0122 • SpeedwayMotors.com

